

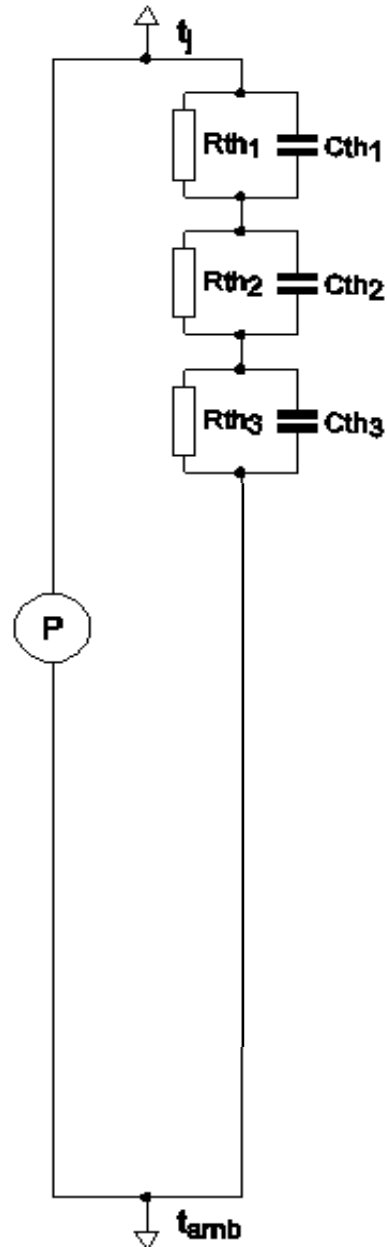
SPICE thermal model

BUK7J1R0-40H

Symbol	Parameter	Conditions	Min	Typ	Max	Unit
$R_{th(j-mb)}$	thermal resistance from junction to mounting base		-	-	0.30	K/W

C_{th1} 2.213E-02 F
 C_{th2} 3.558E-03 F
 C_{th3} 1.278E-03 F

R_{th1} 2.121E-01 Ω
 R_{th2} 8.589E-02 Ω
 R_{th3} 3.494E-03 Ω



Part: BUK7J1R0-40H

Date: 10/5/2018

Model Rth 0.30 K/W